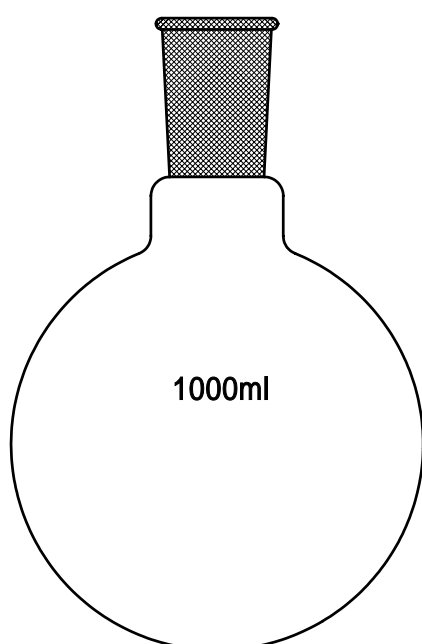


FLASKS

Flask, Single Neck, Round Bottom

Heavy duty with a standard taper outer joint



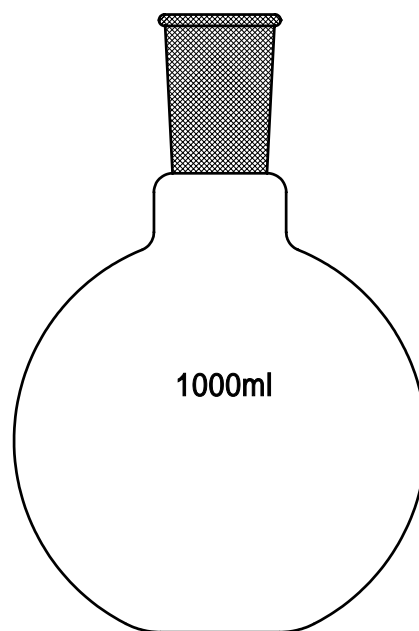
Cat.No	Capacity ml	Joint
1001-1405	5	14/20
1001-1410	10	14/20
1001-1910	10	19/22
1001-1425	25	14/20
1001-1925	25	19/22
1001-1450	50	14/20
1001-1950	50	19/22
1001-2450	50	24/40
1001-2950	50	29/42
1001-1100	100	14/20
1001-9100	100	19/22
1001-4100	100	24/40
1001-2100	100	29/42
1001-1200	200	14/20
1001-9200	200	19/22
1001-4200	200	24/40
1001-2200	200	29/42
1001-1250	250	14/20
1001-9250	250	19/22
1001-4250	250	24/40
1101-2250	250	29/42
1001-1300	300	14/20
1001-9300	300	19/22
1001-4300	300	24/40
1001-2300	300	29/42
1001-1500	500	14/20
1001-9500	500	19/22
1001-4500	500	24/40
1001-2500	500	29/42
1001-1000	1000	24/40
1001-1002	1000	29/42
1001-2000	2000	24/40
1001-2002	2000	29/42
1001-2003	2000	34/45
1001-2004	2000	45/50
1001-3000	3000	24/40
1001-3002	3000	29/42
1001-3003	3000	34/45
1001-3004	3000	45/50

FLASKS

Flask, Single Neck, Flat Bottom

Heavy duty with a standard taper outer joint

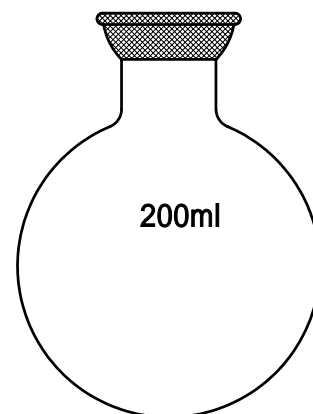
Cat.No	Capacity ml	Joint
1002-1450	50	14/20
1002-1950	50	19/22
1002-2450	50	24/40
1002-2950	50	29/42
1002-1100	100	14/20
1002-9100	100	19/22
1002-4100	100	24/40
1002-2100	100	29/42
1002-9150	150	19/22
1002-4150	150	24/40
1002-9200	200	19/22
1002-4200	200	24/40
1002-2200	200	29/42
1002-9250	250	19/22
1002-4250	250	24/40
1002-2250	250	29/42
1002-9300	300	19/22
1002-4300	300	24/40
1002-2300	300	29/42
1002-4500	500	24/40
1002-2500	500	29/42
1002-1000	1000	24/40
1002-1002	1000	29/42



Flask, Single Neck, Round Bottom

Heavy duty with a spherical socket outer joint

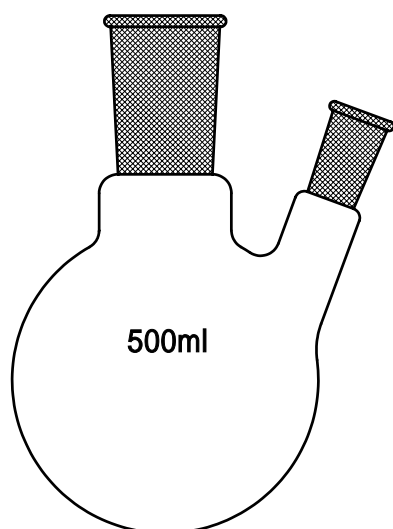
Cat.No	Capacity ml	Joint
1003-3100	100	35/20
1003-3250	250	35/20
1003-3500	500	35/20
1003-1000	1000	35/20
1003-2000	2000	35/20



FLASKS

Flask, Two Neck, Angled

Heavy duty with a standard taper outer joint



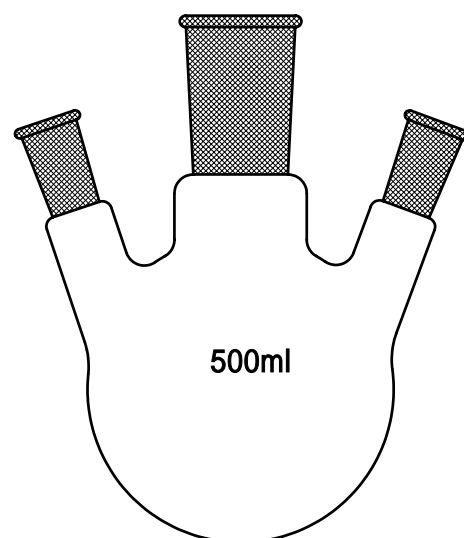
Cat.No	Capacity ml	Joint Center	Joint Side
1004-1450	50	14/20	14/20
1004-9150	50	19/22	14/20
1004-4150	50	24/40	14/20
1004-4950	50	24/40	19/22
1004-2150	50	29/42	14/20
1004-2950	50	29/42	19/22
1004-2450	50	29/42	24/40
1004-1401	100	14/20	14/20
1004-9101	100	19/22	14/20
1004-1901	100	19/22	19/22
1004-4101	100	24/40	14/20
1004-4901	100	24/40	19/22
1004-2101	100	29/42	14/20
1004-2901	100	29/42	19/22
1004-2401	100	29/42	24/40
1004-9102	250	19/22	14/20
1004-1902	250	19/22	19/22
1004-4102	250	24/40	14/20
1004-4902	250	24/40	19/22
1004-2102	250	29/42	14/20
1004-2902	250	29/42	19/22
1004-2402	250	29/42	24/40
1004-4105	500	24/40	14/20
1004-4905	500	24/40	19/22
1004-2405	500	24/40	24/40
1004-2105	500	29/42	14/20
1004-2905	500	29/42	19/22
1004-2945	500	29/42	24/40
1004-2925	500	29/42	29/42
1004-1049	1000	24/40	19/22
1004-1024	1000	24/40	24/40
1004-1029	1000	29/42	19/22
1004-1024	1000	29/42	24/40
1004-1022	1000	29/42	24/40
1004-2024	2000	29/42	24/40
1004-2022	2000	29/42	29/42

FLASKS

Flask, Three Neck, Angled

Heavy duty with a standard taper outer joint

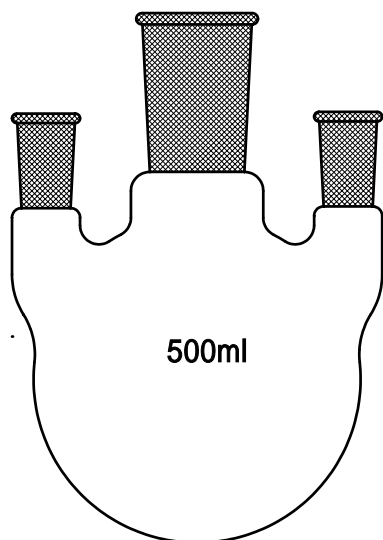
Cat.No	Capacity ml	Joint Center	Joint Side
1005-1450	50	14/20	14/20
1005-9150	50	19/22	14/20
1005-4150	50	24/40	14/20
1005-4950	50	24/40	19/22
1005-2150	50	29/42	14/20
1005-2950	50	29/42	19/22
1005-2450	50	29/42	24/40
1005-1401	100	14/20	14/20
1005-9101	100	19/22	14/20
1005-1901	100	19/22	19/22
1005-4101	100	24/40	14/20
1005-4901	100	24/40	19/22
1005-2101	100	29/42	14/20
1005-2901	100	29/42	19/22
1005-2401	100	29/42	24/40
1005-9102	250	19/22	14/20
1005-1902	250	19/22	19/22
1005-4102	250	24/40	14/20
1005-4902	250	24/40	19/22
1005-2102	250	29/42	14/20
1005-2902	250	29/42	19/22
1005-2402	250	29/42	24/40
1005-4105	500	24/40	14/20
1005-4905	500	24/40	19/22
1005-2405	500	24/40	24/40
1005-2105	500	29/42	14/20
1005-2905	500	29/42	19/22
1005-2945	500	29/42	24/40
1005-2925	500	29/42	29/42
1005-1049	1000	24/40	19/22
1005-1024	1000	24/40	24/40
1005-1029	1000	29/42	19/22
1005-1024	1000	29/42	24/40
1005-1022	1000	29/42	29/42
1005-2024	2000	29/42	24/40
1005-2022	2000	29/42	29/42



FLASKS

Flask, Three Neck, Vertical

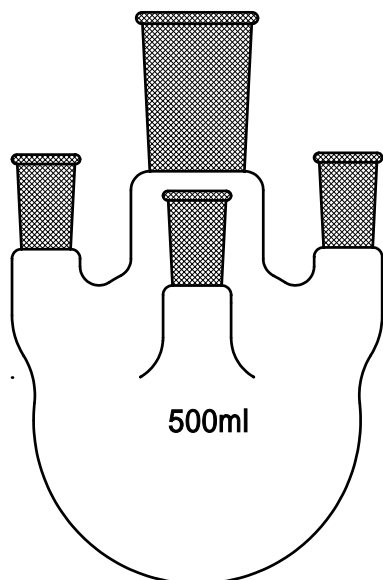
Heavy duty with a standard taper outer joint



Cat.No	Capacity ml	Joint Center	Joint Side
1006-4105	500	24/40	14/20
1006-4905	500	24/40	19/22
1006-2405	500	24/40	24/40
1006-2105	500	29/42	14/20
1006-2905	500	29/42	19/22
1006-2945	500	29/42	24/40
1006-2925	500	29/42	29/42
1006-1049	1000	24/40	19/22
1006-1024	1000	24/40	24/40
1006-1029	1000	29/42	19/22
1006-1094	1000	29/42	24/40
1006-1022	1000	29/42	29/42
1006-2024	2000	29/42	24/40
1006-2022	2000	29/42	29/42

Flask, Four-Neck, Vertical

Heavy duty with a standard taper outer joint



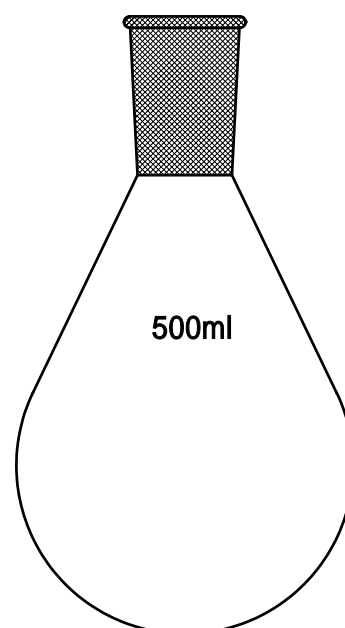
Cat.No	Capacity ml	Joint Center	Joint Side
1007-4105	500	24/40	14/20
1007-4905	500	24/40	19/22
1007-2405	500	24/40	24/40
1007-2105	500	29/42	14/20
1007-2905	500	29/42	19/22
1007-2945	500	29/42	24/40
1007-2925	500	29/42	29/42
1007-1049	1000	24/40	19/22
1007-1024	1000	24/40	24/40
1007-1029	1000	29/42	19/22
1007-1094	1000	29/42	24/40
1007-1022	1000	29/42	29/42
1007-2024	2000	29/42	24/40
1007-2022	2000	29/42	29/42

FLASKS

Flask, Eggplant

Heavy duty with a standard taper outer joint

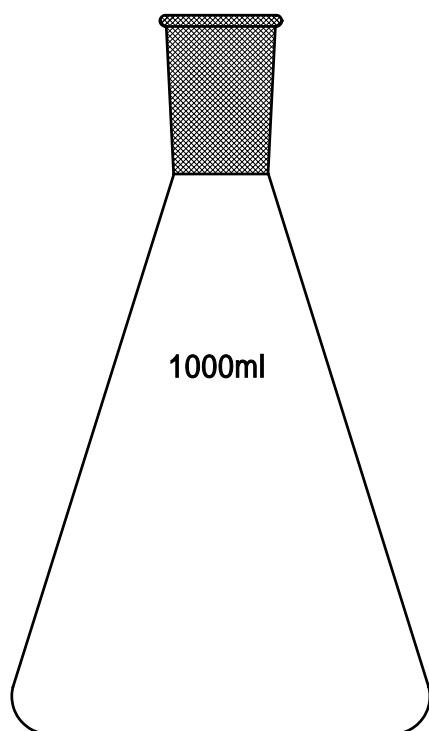
Cat.No	Capacity ml	Joint
1008-1405	5	14/20
1008-1410	10	14/20
1008-1910	10	19/22
1008-1425	25	14/20
1008-1925	25	19/22
1008-1450	50	14/20
1008-1950	50	19/22
1008-2450	50	24/40
1008-2950	50	29/42
1008-1100	100	14/20
1008-9100	100	19/22
1008-4100	100	24/40
1008-2100	100	29/42
1008-1200	200	14/20
1008-9200	200	19/22
1008-4200	200	24/40
1008-2200	200	29/42
1008-1250	250	14/20
1008-9250	250	19/22
1008-4250	250	24/40
1008-2250	250	29/42
1008-1300	300	14/20
1008-9300	300	19/22
1008-4300	300	24/40
1008-2300	300	29/42
1008-1500	500	14/20
1008-9500	500	19/22
1008-4500	500	24/40
1008-2500	500	29/42
1008-1000	1000	24/40
1008-1002	1000	29/42
1008-2000	2000	24/40
1008-2002	2000	29/42
1008-2003	2000	34/45
1008-2004	2000	45/50
1008-3000	3000	24/40
1008-3002	3000	29/42
1008-3003	3000	34/45
1008-3004	3000	45/50



FLASKS

Flask, Erlenmeyer

Heavy duty with a standard taper outer joint



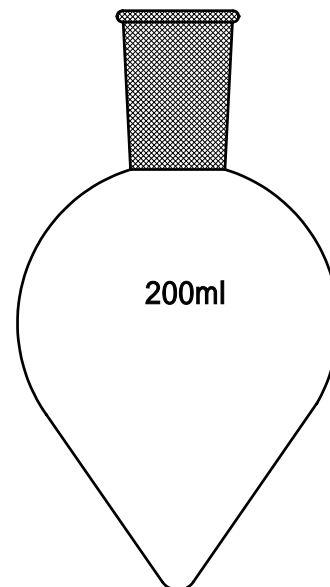
Cat.No	Capacity ml	Joint
1009-1405	5	14/20
1009-1410	10	14/20
1009-1910	10	19/22
1009-1425	25	14/20
1009-1925	25	19/22
1009-1450	50	14/20
1009-1950	50	19/22
1009-2450	50	24/40
1009-2950	50	29/42
1009-1100	100	14/20
1009-9100	100	19/22
1009-4100	100	24/40
1009-2100	100	29/42
1009-1200	200	14/20
1009-9200	200	19/22
1009-4200	200	24/40
1009-2200	200	29/42
1009-1250	250	14/20
1009-9250	250	19/22
1009-4250	250	24/40
1009-2250	250	29/42
1009-1300	300	14/20
1009-9300	300	19/22
1009-4300	300	24/40
1009-2300	300	29/42
1009-1500	500	14/20
1009-9500	500	19/22
1009-4500	500	24/40
1009-2500	500	29/42
1009-1000	1000	24/40
1009-1002	1000	29/42

FLASKS

Flask, Single Neck, Pear Shaped

Heavy duty with a standard taper outer joint

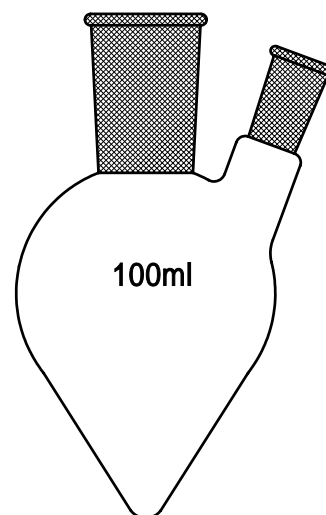
Cat.No	Capacity ml	Joint
1010-1405	5	14/20
1010-1410	10	14/20
1010-1910	10	19/22
1010-1425	25	14/20
1010-1925	25	19/22
1010-1450	50	14/20
1010-1950	50	19/22
1010-2450	50	24/40
1010-2950	50	29/42
1010-1100	100	14/20
1010-9100	100	19/22
1010-4100	100	24/40
1010-2100	100	29/42



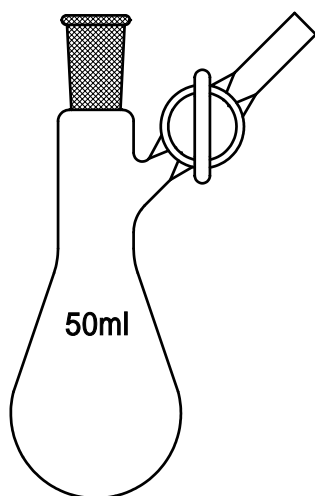
Flask, Two Neck, Pear Shaped

Heavy duty with a standard taper outer joint

Cat.No	Capacity ml	Joint Center	Joint Side
1011-1401	10	14/20	14/20
1011-9101	10	19/22	14/20
1011-1901	10	19/22	19/22
1011-1402	25	14/20	14/20
1011-9102	25	19/22	14/20
1011-1902	25	19/22	19/22
1011-1405	50	14/20	14/20
1011-9105	50	19/22	14/20
1011-4105	50	24/40	14/20
1011-4905	50	24/40	19/22
1011-1410	100	14/20	14/20
1011-9110	100	19/22	14/20
1011-4110	100	24/40	14/20
1011-4910	100	24/40	19/22
1011-2110	100	29/42	14/20
1011-2910	100	29/42	19/22



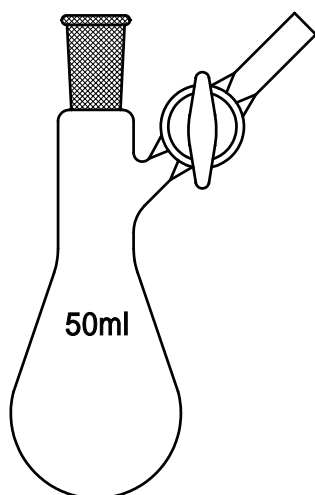
FLASKS



Flask, Schlenk Tube, Teflon Stopcock

With 2mm stopcock and top outer joint

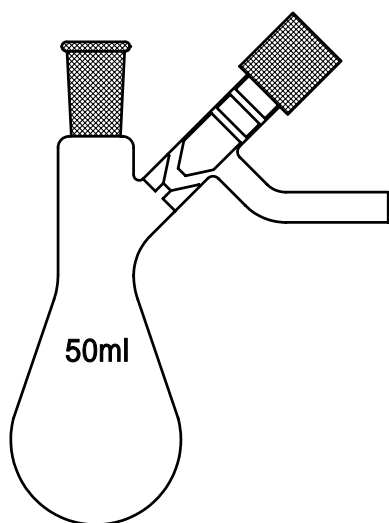
Cat.No	Capacity ml	Joint
1012-1401	10	14/20
1012-1402	25	14/20
1012-1405	50	14/20
1012-2405	50	24/40
1012-1410	100	14/20
1012-2410	100	24/40
1012-1920	200	19/22
1012-2420	200	24/40



Flask, Schlenk Tube, Glass Stopcock

With 2mm stopcock and top outer joint

Cat.No	Capacity ml	Joint
1013-1401	10	14/20
1013-1402	25	14/20
1013-1405	50	14/20
1013-2405	50	24/40
1013-1410	100	14/20
1013-2410	100	24/40
1013-1920	200	19/22
1013-2420	200	24/40



Flask, Schlenk Tube, High Vacuum Valve

With 0 ~ 4mm high vacuum valve and outer joint

Cat.No	Capacity ml	Joint
1014-1401	10	14/20
1014-1402	25	14/20
1014-1405	50	14/20
1014-2405	50	24/40
1014-1410	100	14/20
1014-2410	100	24/40
1014-1920	200	19/22
1014-2420	200	24/40

FLASKS

Flask, Reaction Tube, Glass Stopcock

With 2mm stopcock and top outer joint

Cat.No	Capacity ml	Joint
1015-1402	25	14/20
1015-1405	50	14/20
1015-2405	50	24/40
1015-1410	100	14/20
1015-2410	100	24/40
1015-1920	200	24/40
1015-2420	250	24/40

Top inner joint

Cat.No	Capacity ml	Joint
1016-1402	25	14/20
1016-1405	50	14/20
1016-2405	50	24/40
1016-1410	100	14/20
1016-2410	100	24/40
1016-1920	200	24/40
1016-2420	250	24/40

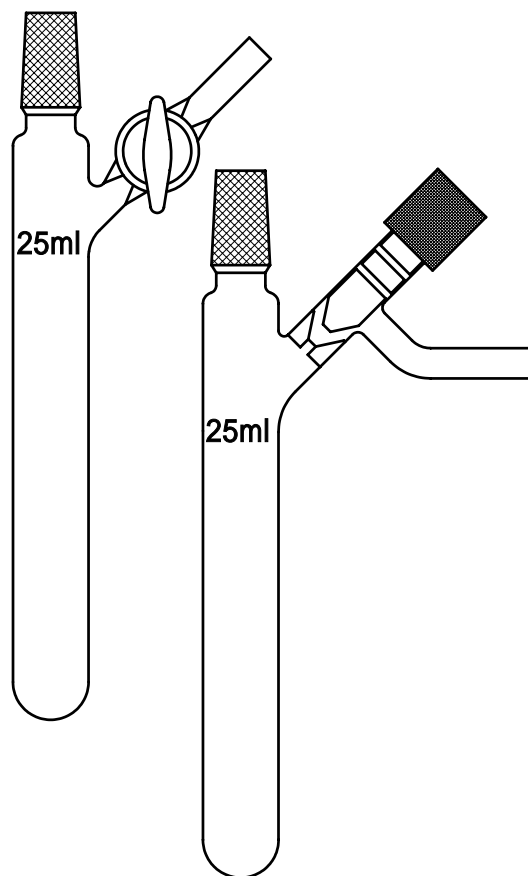
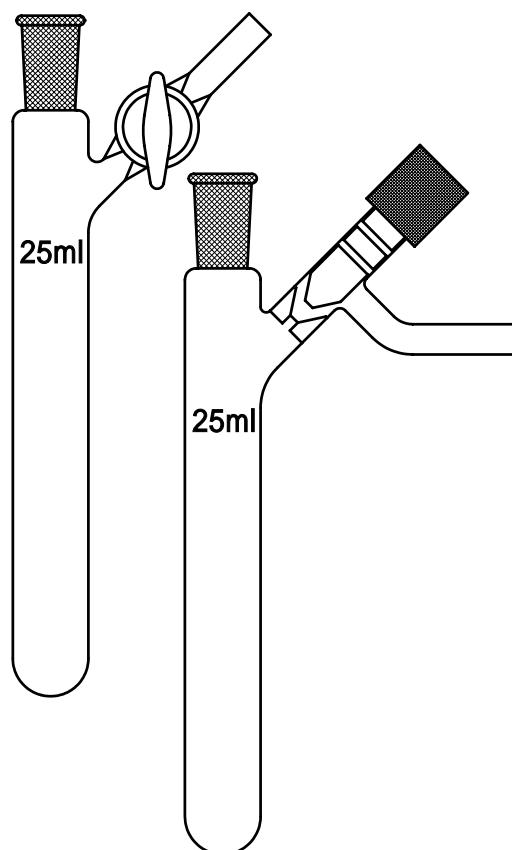
Flask, Reaction Tube, High Vacuum Valve

With 2mm stopcock and top outer joint

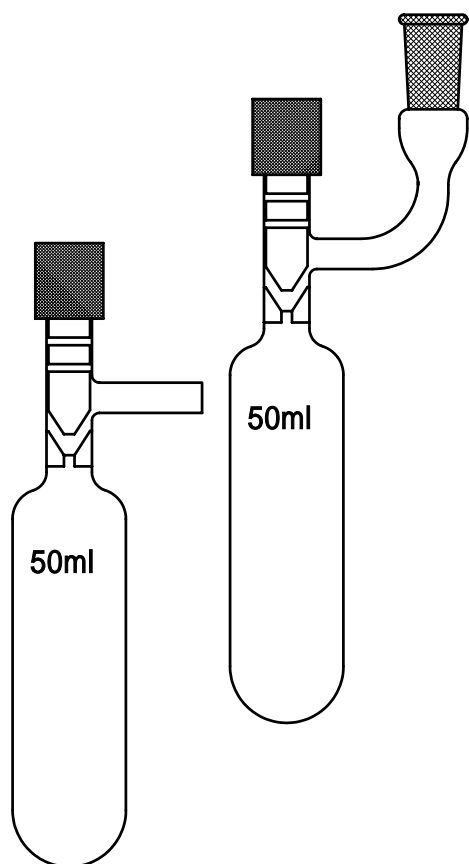
Cat.No	Capacity ml	Joint
1017-1402	25	14/20
1017-1405	50	14/20
1017-2405	50	24/40
1017-1410	100	14/20
1017-2410	100	24/40
1017-1920	200	24/40
1017-2420	250	24/40

Top inner joint

Cat.No	Capacity ml	Joint
1018-1402	25	14/20
1018-1405	50	14/20
1018-2405	50	24/40
1018-1410	100	14/20
1018-2410	100	24/40
1018-1920	200	24/40
1018-2420	250	24/40



FLASKS

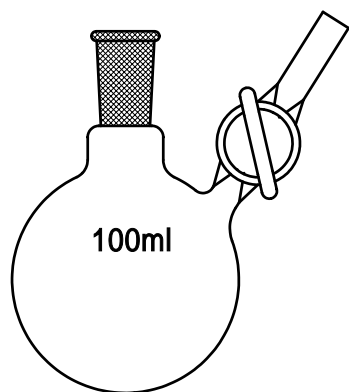


Flask, Reaction Tube, High Vacuum Valve
With 0 ~ 4mm high vacuum valve and outer joint

Cat.No	Capacity ml	Joint
1019-1402	25	14/20
1019-1405	50	14/20
1019-2405	50	24/40
1019-1410	100	14/20
1019-2410	100	24/40

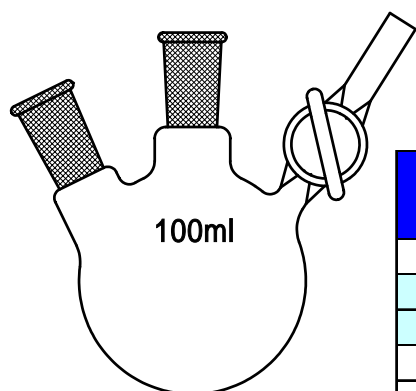
Flask, Reaction Tube, High Vacuum Valve
With 0 ~ 4mm high vacuum valve stem O.D. is 9mm

Cat.No	Capacity ml	Body O.D. × Height
1020-1401	10ml	10×150
1020-1402	25ml	20×100
1020-2405	50ml	25×100
1020-1410	100ml	40×150



Flask, Reaction, Glass Stopcock
With 0 ~ 4mm high vacuum valve and outer joint

Cat.No	Capacity ml	Joint
1021-1402	50	14/20
1021-1405	100	14/20
1021-2405	100	24/40
1021-1410	250	14/20
1021-2410	250	24/40
1021-1920	500	24/40



Flask, Reaction, Two-Neck, Glass Stopcock
With 0 ~ 4mm high vacuum valve and outer joint

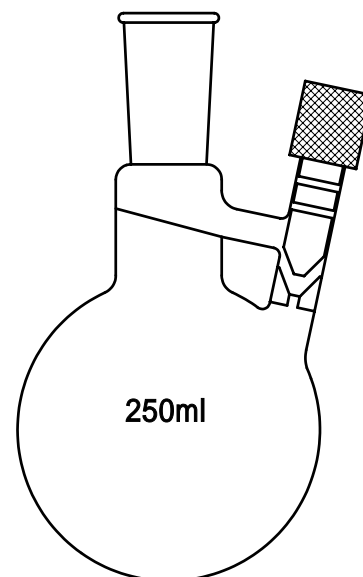
Cat.No	Capacity ml	Joint Center	Joint Side
1022-1402	50	14/20	14/20
1022-1405	100	14/20	14/20
1022-2405	100	24/40	14/20
1022-1410	250	14/20	14/20
1022-2410	250	24/40	19/22
1022-1920	500	24/40	19/22

FLASKS

Flask, Transfer/Storage, High Vacuum Valve

With 0 ~ 4mm high vacuum valve and outer joint

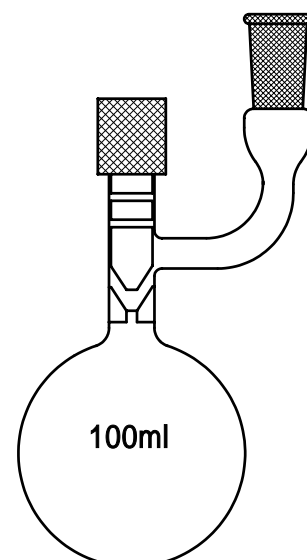
Cat.No	Capacity ml	Joint
1023-1402	250	14/20
1023-2402	250	24/40
1023-2405	500	24/40
1023-2905	500	29/42
1023-2410	1000	24/40
1023-2910	1000	29/42



Flask, Storage, High Vacuum Valve

With 0 ~ 4mm high vacuum valve and outer joint

Cat.No	Capacity ml	Joint
1024-1402	25	14/20
1024-1405	50	14/20
1024-1410	100	14/20
1024-2410	100	24/40
1024-1425	250	14/20
1024-2425	250	24/40
1024-1450	500	14/20
1024-2450	500	24/40



Flask, Storage, High Vacuum Valve

With 0 ~ 4mm high vacuum valve

Cat.No	Capacity ml
1025-0025	25
1025-0050	50
1025-0100	100
1025-0250	250
1025-0500	500
1025-1000	1000

