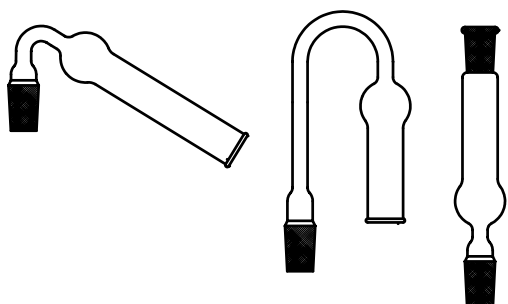


# DRYING APPARATUS

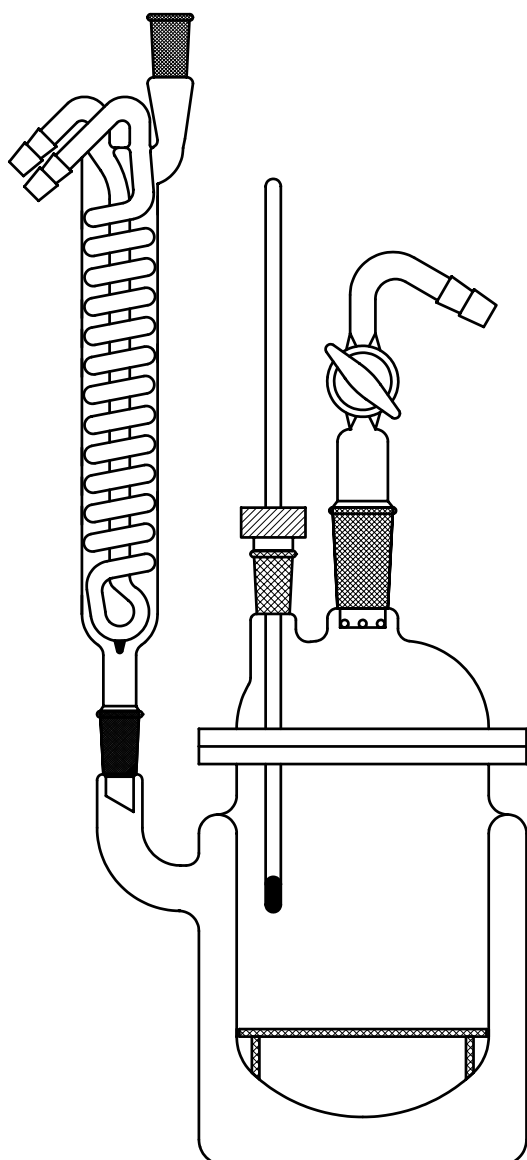
## Drying Tube

Rubber Stopper, U-shaped, Straight

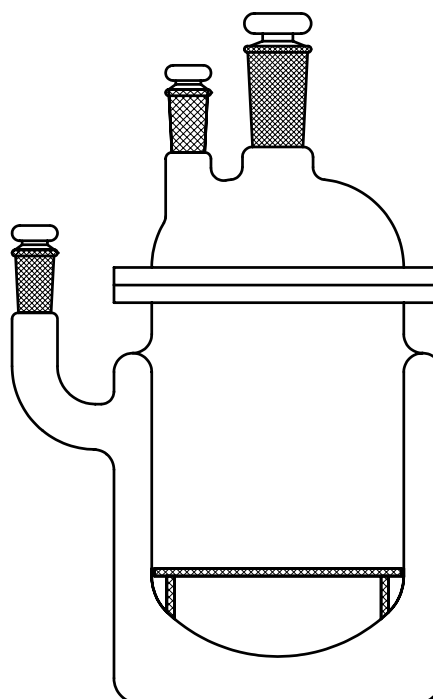


Cat.No	U-Shaped, Straight	Joint
1078-1400	Rubber Stopper	14/20
1078-1900	Rubber Stopper	19/22
1078-1404	U-Shaped	14/20
1078-1909	U-Shaped	19/22
1078-1414	Strainht	14/20
1078-1922	Strainht	19/22

## Abderhalden



Cat.No	Inner Body × Height (mm)	Joint
1079-1400	Complete Kit O.D.100	19/22
1079-1900	Complete Kit O.D.120	24/40

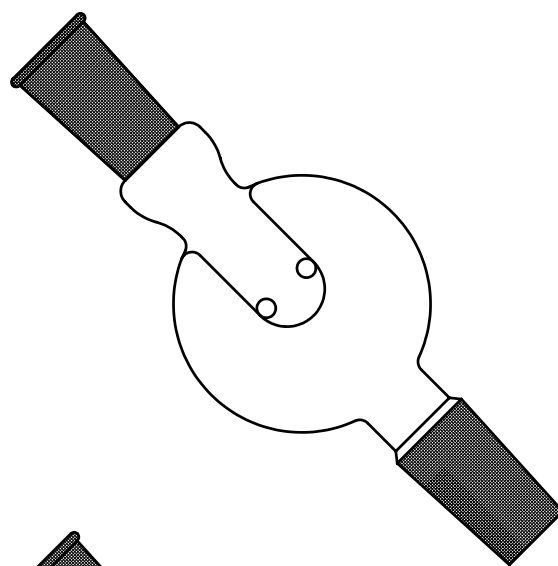


# DRYING APPARATUS

## Rotary Evaporator Bump Anti-Climb

Traps have a 24/40 top outer joint

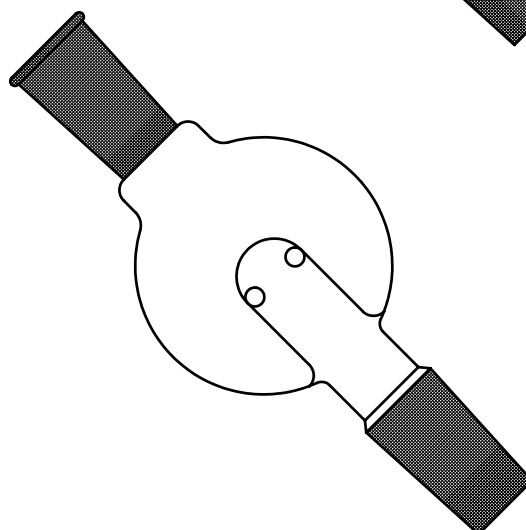
Cat.No	Capacity ml	Joint Bottom
1080-1401	100	14/20
1080-1402	250	14/20
1080-1901	100	19/22
1080-1902	250	19/22
1080-2402	250	24/40
1080-2405	500	24/40



## Rotary Evaporator Bump Anti-Splash

Traps have a 24/40 top outer joint

Cat.No	Capacity ml	Joint Bottom
1081-1401	100	14/20
1081-1402	250	14/20
1081-1901	100	19/22
1081-1902	250	19/22
1081-2402	250	24/40
1081-2405	500	24/40



## Rotary Evaporator Bump Anti-Splash

Similar to #1081, with the addition of Two 4mm drain holes at the base of the inner tube to allow solvent to drain back to the evaporation flask

Cat.No	Capacity ml	Joint Bottom
1082-1401	100	14/20
1082-1402	250	14/20
1082-1901	100	19/22
1082-1902	250	19/22
1082-2402	250	24/40
1082-2405	500	24/40

